



## HAUS 4 (IN THE SCHAUSPIELHAUS)

Freiheitsplatz 6  
8010 Graz  
T +43 664 99432711

Open all day and every day, the team at the Café-Bar HAUS 4 isn't just available to you during your visit to the theatre. With a breakfast menu and an extensive selection of drinks and food, we welcome you to Haus 4 in the Schauspielhaus.

The foyer bar is open one hour before the performance begins, and the bar on the 1st tier is open during intermissions and introductory talks. Our team will also serve you at every bar during public premiere celebrations in Haus 1.

### ACCESSIBILITY

#### Accessibility by public transport

Please use the route planner of the Styria Public Transport Network (Verbundlinie Steiermark): <https://verkehrsankunft.verbundlinie.at/>

#### Parking

- 1 designated disabled parking space at Freiheitsplatz (just across the street from the café)
- 2 designated disabled parking spaces in the Hofgasse in front of the Alte Universität, approx. 50 m from the entrance
- 2 designated disabled parking spaces in the Hofgasse opposite the cathedral, approx. 100 m away
- Short-stay parking zone in the surrounding area
- Pflaumengarten underground car park, from there, approx. 200 m to the café

## ACCESS AND ENTRANCE

- The accessible entrance is the main entrance, covered
- The path to the entrance is level and suitable for wheelchairs (asphalted)
- Swing door made from glass (with marking), usually open in the summer
- Double doors, clear door width 2 x 75 cm, no door stop
- Vertical bar handle on the inside and outside, **not easy to open**
- Dust control mat suitable for wheelchairs
- 2nd door hinged door made from glass, marking available
- Two-leaf, clear door width 2 x 75 cm
- Access area with 150 cm diameter in front of the 2nd door **not present** due to the position of the vestibule
- Lever handle on the outside, panic bar on the inside, **not easy to open**, no door stop
- Lever handle on the outside, anti-panic handle on the inside

## INTERIOR AREA

- Carpet after the entrance suitable for wheelchairs, otherwise tiles
- Bar 122 cm high, **no under-counter wheelchair access**
- Tables and chairs movable (some fixed benches)
- **Not all tables have under-table wheelchair access** (some high tables and/or low coffee tables)
- Tables with diameter of 70 cm, lower table edge 70 cm, under-table wheelchair access to depth of 30 cm
- Tables with diameter of 60 cm, lower table edge 71 cm, under-table wheelchair access to depth of 27 cm
- All tables with under-table wheelchair access have centre table legs



Entrance



Interior area



Interior area

**TOILET**

The toilets are located in the foyer of the Schauspielhaus.

**Access from the café to the foyer**

- Swing door made from glass (with marking), is usually open in summer
- Clear door width 2 x 85 cm, no door stop
- Door handle at a height of 110 cm, **not very easy to open**

**Access to WCs**

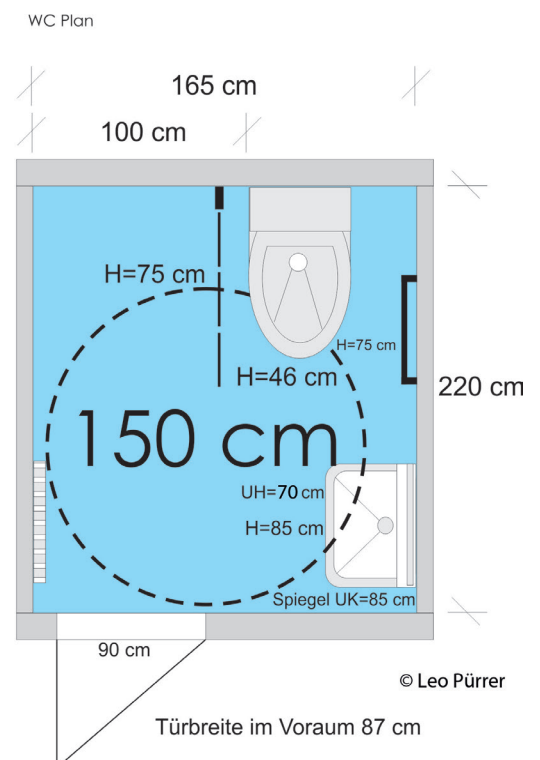
- The accessible toilet is located by the ladies toilets, but is separate from them.
- Access door: Hinged door with lever handle, clear door width 87 cm

**Accessible WC**

- Hinged door with lever handle, clear door width 90 cm
- Room dimensions: 220 cm x 165 cm
- Turning circle of 150 cm just guaranteed
- WC height: 46 cm
- Accessibility from the left, 100 cm space to the WC
- Folding support rail on the left at a height of 75 cm
- Angled grab bar on the left at a height of 75 cm
- WC paper accessible when sitting
- Upper edge of washbasin: 85 cm, under-washbasin wheelchair access height 70 cm (flush-mounted siphon)
- Lower edge of mirror: Height 85 cm
- Emergency bell available



Toilet



Validity: January 2020, errors and omissions excepted